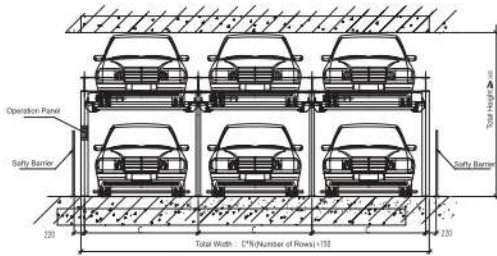
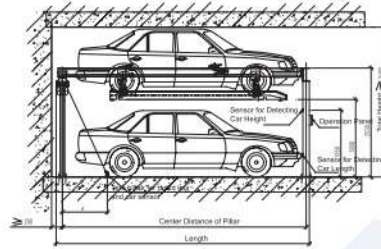




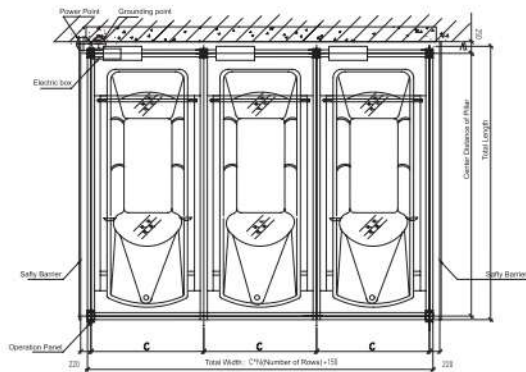
Elevation



Side Elevation



Plan View

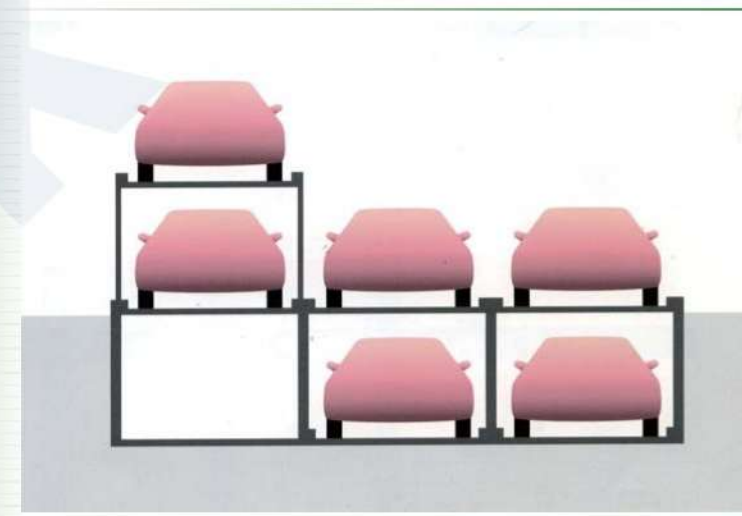


Data Sheet

Type	Z	D	T2	T
Length	4700 mm	5000 mm	5200 mm	5300 mm
Width	1800 mm	1850 mm	1900 mm	1950 mm
With side mirror	1900 mm	1950 mm	2000 mm	2050 mm
Tyre to tyre	1760 mm	1800 mm	1860 mm	1900 mm
Height	1550 mm	1550 mm	1550 mm	1550 mm
Weight	1500 Kg	1700 kg	2000 kg	2350 kg
Lift speed	4.0-5.0m/min			
Drive mode	Motor-chain type			
Lift reducer	2.2Kw			3.7Kw
Power capacity	4KVA			7KVA
Power	AC380V, 50Hz			
Operation method	Button/IC card (For choose)			
Total Width	C*N (Number of rows) +150			
Park capacity	3 mechanical car lots, 3 self-service car lots			

# Parking Systems

PJS



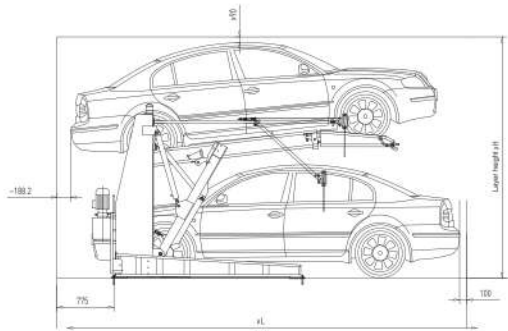
## SIMPLE LIFTING PJS

### SIMPLE LIFTING MECHANICAL PARKING SYSTEM

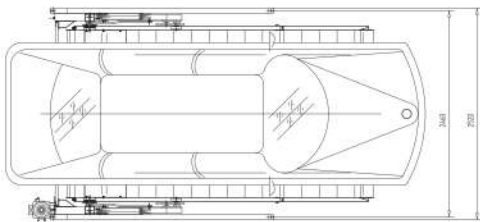
- SIMPLE STRUCTURE/ELEGANT
- HYDRAULIC LIFTING METHOD
- EASY TO OPERATE/LOW NOISE



Side Elevation



Plan View



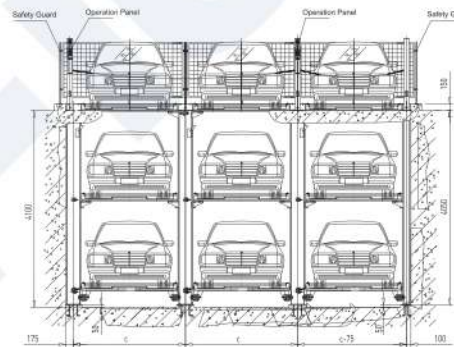
Data Sheet

		Minimum length the system requires L									
		3300		3200		3100		3000		2900	
Car height	Backward in	5580	5030	6280	5550	6670	5680	6200			
	Forward in	5580	5280	5700	5390	5850	5450	5570	5950		

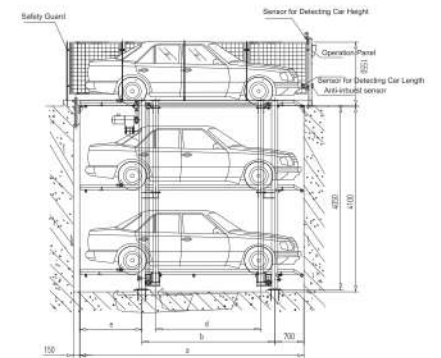
Standard technique specification parameter (Depend on the layer height)			
Type	31A1		
Maximum Car dimensions	Length	5000mm	4700mm
	Width	1850mm	1800mm
	With side mirror	1950mm	1900mm
	Height	1550mm	1450mm
	Weight	1700kg	1500kg

Technical parameters	
Operation method	Rotary knob
Drive mode	Oil hydraulic type
Motor Power	1.5 kw
Power capacity	3 KVA
Power	AC220V 50Hz Single phase
Rated Speed	Up time about 50s down time about 25s
Working Pressure	16 MPa
Relief Pressure	20 MPa
Park capacity	2

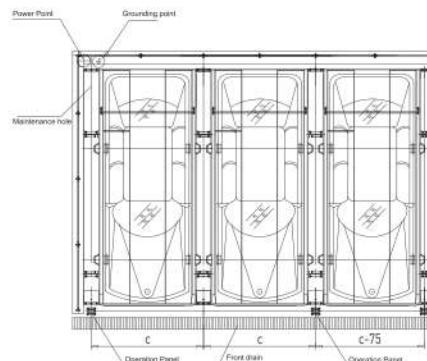
Elevation



Side Elevation



Plan View



Data Sheet

Type	Z	D	T2	T	
Max Car dimensions	Length	4700 mm	5000 mm	5200 mm	5300 mm
	Width	1800 mm	1850 mm	1900 mm	1900 mm
	With side mirror	1900 mm	1950 mm	2000 mm	2000 mm
	Tyre loc tyre	1760 mm	1800 mm	1860 mm	1860 mm
	Height	1550 mm	1550 mm	1550 mm	1550 mm
Weight	1500 Kg	1700 kg	2000 kg	2350 kg	
Lift speed	2-3m/min				
Drive mode	Motor-chain type				
Lift reducer	3.7Kw (M-Amount of control unit)				
Power capacity	Mx5.5KVA				
Power	AC380V 50Hz				
Operation method	Button				
Tode Width	C×N (Number of rows) + 400				
Park capacity	N×3				